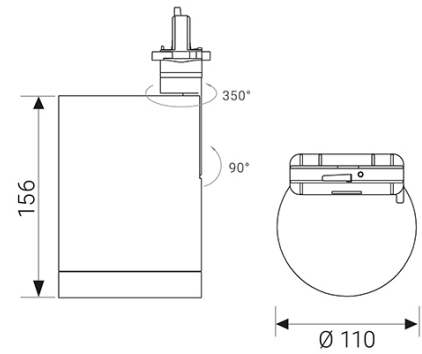
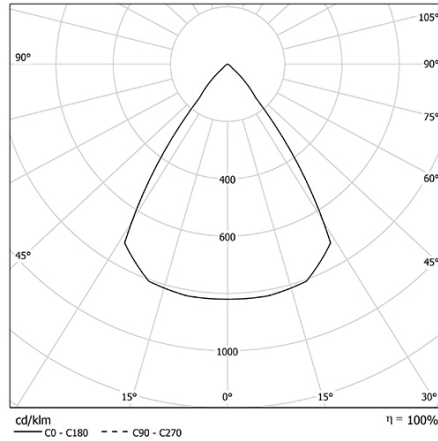
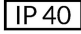




TERES MEDIUM



CODE		FLUX	SIZE	CERTIFICATIONS
14VT13K470MD	13W 70° 4000K	2086lm	Ø 110mm	   

Optics

Internal aluminum reflectors.
Beam angles: 10°-20°-40°-70°.

Body

Die-cast aluminum with epoxy powder coating.

Technical features

- Built-in driver
- CoB LED technology
- CRI>90
- Eye safety: RG0/RG1
- Mac Adams 3
- L90/B10 >50.000h
- 5 years warranty

Legal references

In compliance with the safety standards EN 60 598-1 and UNI EN 12464-1 (lighting for working places).

Colors

- White RAL 9003 wrinkled - code W
- Black RAL 9005 wrinkled - code BK
- + Other Colors - on request

Wiring

D:Standard wiring is 220–240V / 50–60Hz, DALI dimmable (The DALI version complies with CAM Edilizia – Ministerial Decree 24 November 2025, No. 256, Official Gazette No. 281/2025).